

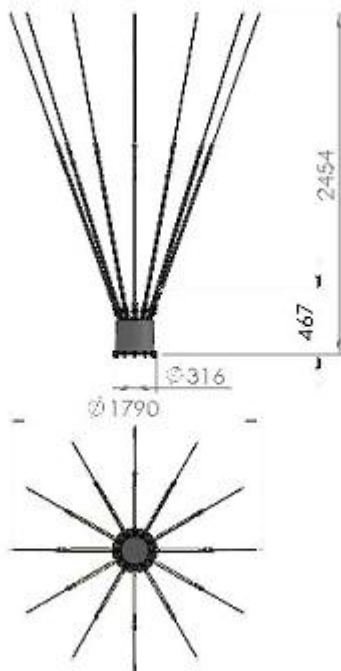
Wideband Omni-Directional Antenna

20 – 500 MHz

Product Code: OMNI-A0046

VERSION: 3.3

SPECIFICATIONS



| | |
|--------------------------------|--|
| Electrical: | |
| Frequency range | 20 – 500 MHz |
| VSWR (with whips) | < 2.5:1 |
| VSWR (without whips) | < 3.5:1 above 40 MHz |
| Feed power handling | 1.2 kW CW |
| Nominal input impedance | 50 Ω |
| Connector | 7/16 female |
| Gain | > -6 dBi across 90% of the band |
| Polarisation | Vertical |
| Mechanical: | |
| Dimensions (height x diameter) | 2454 mm x 1790 mm |
| Weight | 18 kg |
| Material | Aluminium and stainless steel |
| Environmental: | |
| Wind survival | 160 km/h calculated |
| Salt fog | MIL-STD-810F method 509.4 |
| Mechanical shock | MIL-STD-810F method 516.5 table 516.5-I procedure 1, 40 G for 15 – 23 ms. |
| Operational vibration | MIL-STD-810F method 514.5 table 514.5-1 (Operational ground vehicles) figure 514.5C-1 (Highway truck vibration). |
| Operating temperature | -30 °C to +50 °C |
| Storage temperature | -30 °C to +70 °C |

PRODUCT DESCRIPTION:

This is the upgraded version of the well-known PA-OMNI-20500B high-power omni-directional jamming antenna. The frequency range covered is 20 MHz to 500 MHz with a VSWR of less than 2.5:1 with the whips attached. The whips improve the performance in the 20 MHz to 50 MHz band. The antenna's profile can be reduced by removing the tactical whips where required.

ELECTRICAL FEATURES:

- Wideband
- Omni-directional azimuth pattern
- High-power handling
- Optimised distributed loading is used to prevent elevation radiation pattern break up

MECHANICAL FEATURES:

- Spring loaded elements
- Waterproof
- Quick assembly
- Vehicle or shelter mountable

sales@poynting.co.za
www.poynting.co.za

DEFENCE AND SPECIALISED

Wideband Omni-Directional Antenna

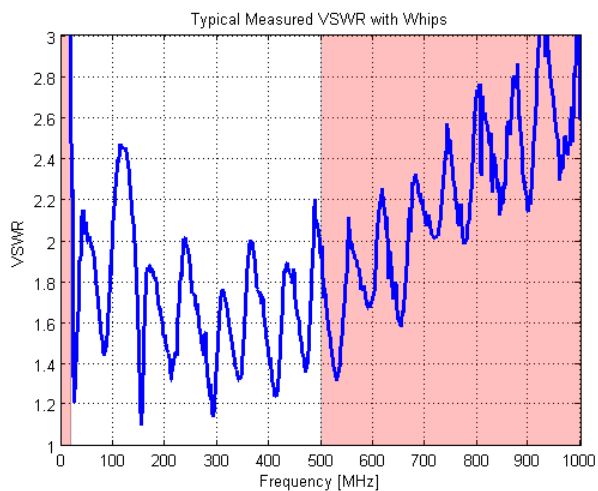
20 – 500 MHz

Product Code: OMNI-A0046

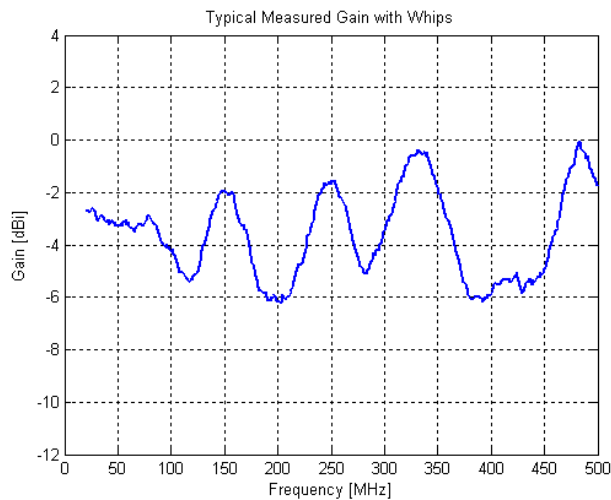
VERSION: 3.3

VSWR AND GAIN GRAPHS:

VSWR



GAIN



VSWR and gain measured with the antenna mounted on a 5 m x 2.5 m ground plane.

