



PRODUCT DESCRIPTION:

A wideband VHF antenna for communications systems using high-power transmitters.

This vehicle-mounted monopole loop antenna offers excellent radiation performance around the vehicle, and full-band coverage without any lossy loads or ferrites. Its small profile allows it to be mounted easily, and its low wind resistance makes its impact on the vehicle minimal.

PRODUCT FEATURES:

- Full 136 to 174 MHz VHF band
- Omni-directional, vertical polarisation
- Full gain, no losses in the antenna
- Low profile, small mounting footprint

APPLICATIONS:

- Full-band VHF monitoring
- VHF communications

SPECIFICATIONS:

Electrical:	
Frequency range	136 – 174 MHz
VSWR	< 2.5:1
Nominal input impedance	50 Ω
Efficiency	100 %
Connector	N-type female
Feed power handling	250 W
Gain	2 dBi
Elevation 3 dB beamwidth	45°
Azimuth 3 dB beamwidth	360°
Polarisation	Vertical
Azimuth ripple	±1 dB
Mechanical:	
Dimensions of loop (l x w x h)	25 mm x 240 mm x 360 mm
Dimensions of base (l x w)	60 mm x 270 mm
Packed dimensions	100 mm x 300 mm x 400 mm
Installed height	360 mm
Total mass	4 kg
Colour	Black (others on request)
Mounting method	Six M8 bolts
Ground plane requirement	Minimum 1 m ²
Environmental:	
Wind survival	160 km / h
Effective wind area	0.005 m ²
Temperature (operational)	-30 °C to +70 °C
Temperature (storage)	-40 °C to +80 °C
Relative humidity (operational)	100%
Relative humidity (storage)	100%
Salt fog	According to MIL-STD-810F
Vibration	MIL-STD-810F ground vehicle
Shock	MIL-STD-810F
Operational rain proof	Yes
Water and dust resistance	IP 67
Lightning and ESD protection	DC grounded structure
Exposed materials	Painted aluminium and tufnol

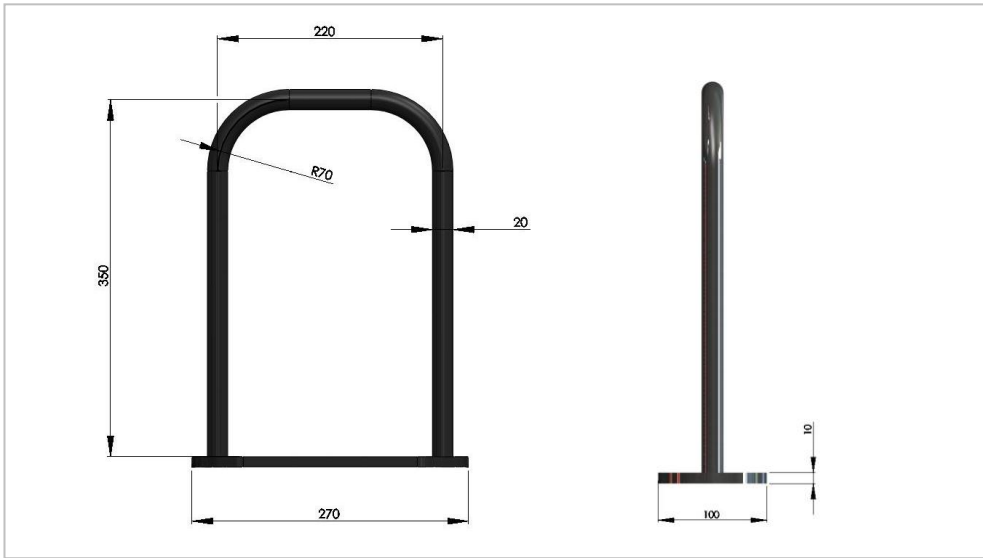
High-Power VHF antenna

136 – 174 MHz

Product Code: MONO-A0055

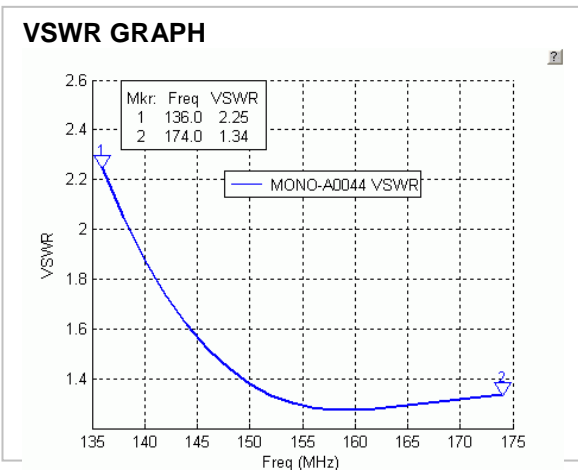
VERSION: 1.1

DIMENSIONS

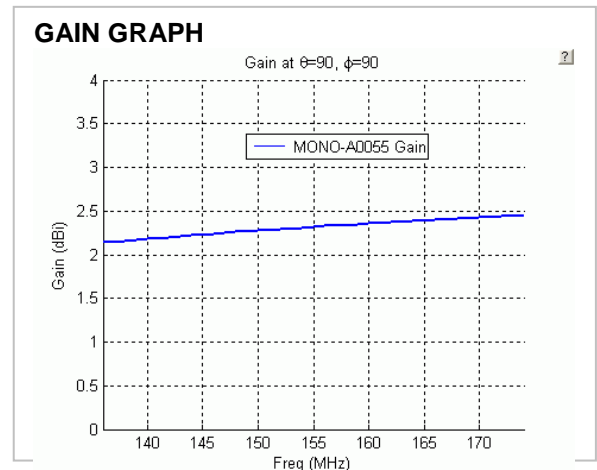


ELECTRICAL PERFORMANCE CURVE

VSWR GRAPH

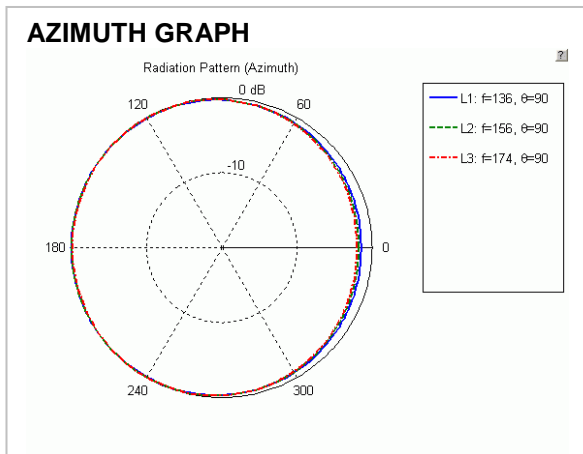


GAIN GRAPH



PATTERNS

AZIMUTH GRAPH



ELEVATION GRAPH

